

# FULL DIAMETER MICROSCOPES

---

## GENERAL

The Full Diameter Microscope is for near vision only. It is perhaps the easiest system for the patient to learn to use. The units are light in weight and cosmetically acceptable. Although the working distance is fairly short (approximately 6 cm for the 4X microscope), the depth of focus is kept to a maximum to allow as much focusing flexibility as possible for the patient.

Full Diameter Microscopes are composed of air-spaced precision glass doublets. The doublet design is superior to other designs in eliminating optical aberrations, and they provide high magnification with a well-defined field of view. Type I Microscopes are available in powers from 2X (+8.00 diopters) to 10X (+40.00 diopters). Type II Microscopes are available in powers from 10X (+40.00 diopters) to 20X (+80.00 diopters). In the higher powers, the Type II design has been shown to be superior, further reducing aberrations.

The superior optical design of the Type II system was improved upon with a series of Wide Angle Microscopes. Composed of wide angle plastic aspheric air-spaced doublets, these microscopes have a marked increase in the visual field, compared with the standard Type I microscopes as well as the Type II microscopes of non-aspheric design. The Wide Angle Microscope is available in powers from 8X (+32.00 diopters) to 16X (+64.00 diopters). Some patients may do better with the Wide Angle Microscope than with a slightly stronger standard Full Diameter Microscope.

The patient's distance prescription can be incorporated into the system, as well as a tint for light-sensitive patients.

## FITTING

Full Diameter Microscopes are mounted in the geometric center of the carrier lens. They are generally prescribed as a monocular aid because of the close working distance. A dummy balance microscope can be mounted over the other eye for cosmetic effect, or the lens may be a single vision balance lens which is clear, opaque, or frosted. The [Yeoman 6](#) is the frame of choice for use with the Full Diameter Microscope. Please see our [Microscope Frame Selection Guide](#) for other frame options.

## POWERS AVAILABLE

Standard Type I: 2X - 10X

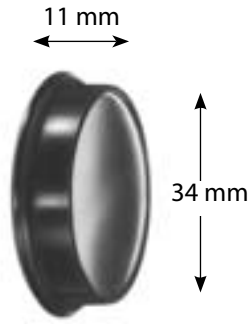
Standard Type II: 10X - 20X

Wide Angle: 8X - 16X

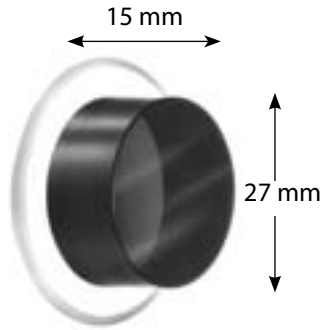


**DESIGNS FOR VISION, INC.**  
1-800-345-4009

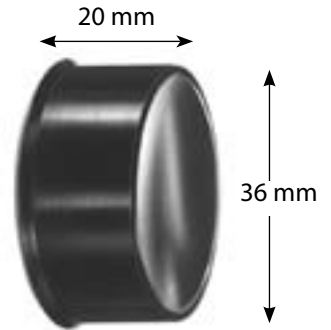
# FULL DIAMETER MICROSCOPES



6X  
Full Diameter Microscope



14X  
Full Diameter Microscope



12X Wide Angle  
Full Diameter Microscope

## Full Diameter Microscope (Type I Design)

2X	34 mm by 9 mm
4X	34 mm by 10 mm
6X	34 mm by 11 mm
8X	34 mm by 12 mm
10X	34 mm by 13 mm

## Full Diameter Microscope (Type II Design)

10X	27 mm by 15 mm
12X	27 mm by 15 mm
14X	27 mm by 15 mm
16X	27 mm by 15 mm
18X	27 mm by 15 mm
20X	27 mm by 15 mm

## Wide Angle Full Diameter Microscope (Type II Design)

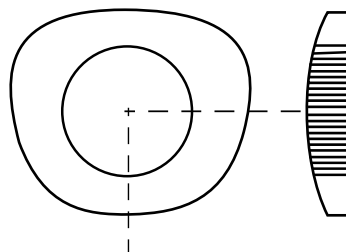
8X	36 mm by 18 mm
10X	36 mm by 19 mm
12X	36 mm by 20 mm
14X	36 mm by 21 mm
16X	36 mm by 22 mm



6X Full Diameter Microscope  
mounted in the Yeoman 6 frame



14X Full Diameter Microscope  
mounted in the Yeoman 6 frame



The optical center of the Full Diameter Microscope is mounted on center in the carrier lens, and aimed straight.



**DESIGNS FOR VISION, INC.**  
1-800-345-4009